

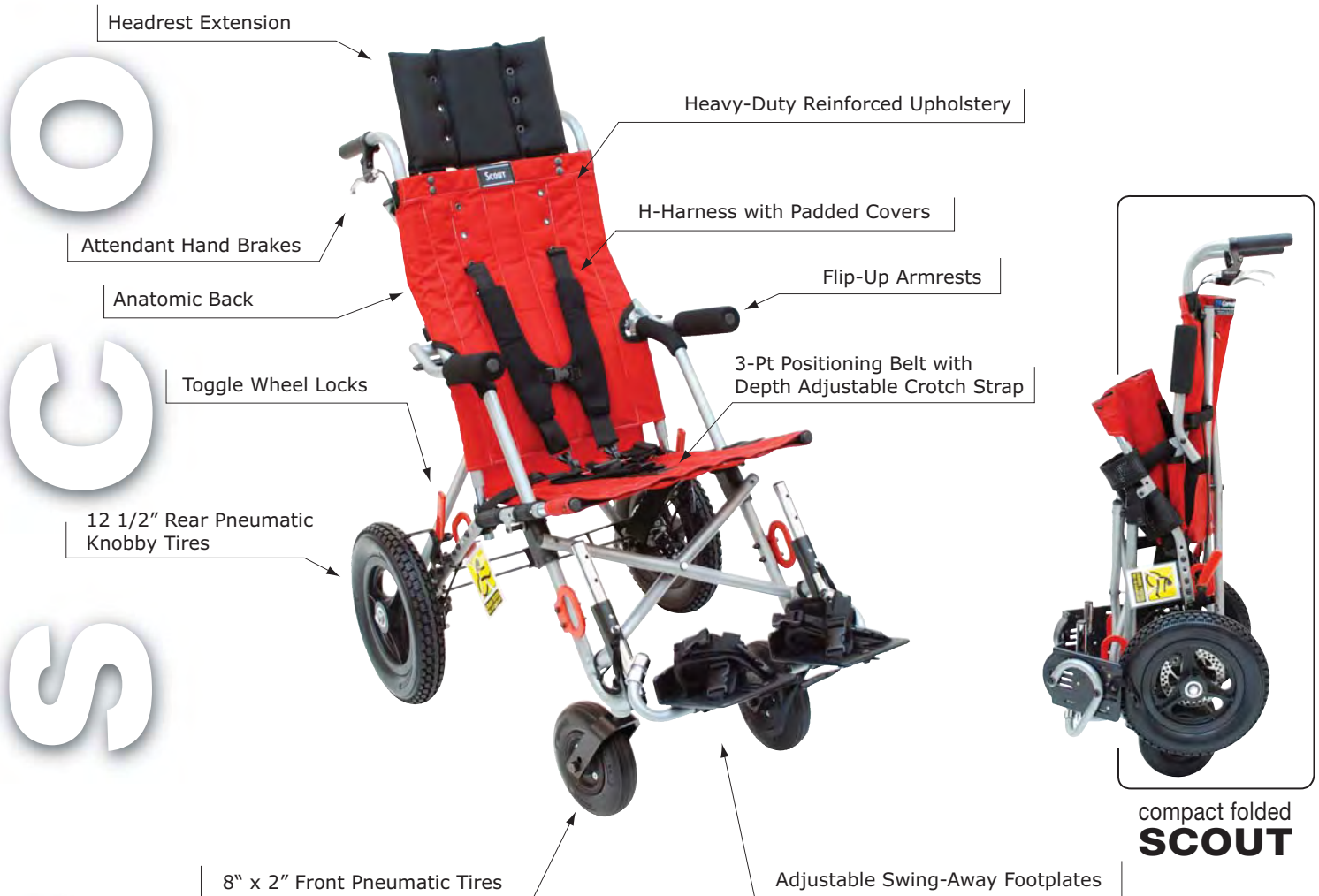
Scout Features

HCPCS:E1236

T
D

- **30° Fixed Tilt**
Promotes upper body positioning for individuals with limited upper body strength or trunk stability
- **Anatomic Back**
(20° Fixed Tilt at Shoulder Level)
Provides stability, good posture and visual alignment
- **Attendant Hand Brakes**
For increased safety and control when going down inclines
- **Multi-Terrain Knobby Wheels**
Provides a smooth/comfortable ride on many types of indoor and outdoor surfaces

- **Frame Folds Compactly**
For easy storage and transport – fold and go!
- **Comprehensive Positioning Option**
Provide maximum comfort and positioning
- **Custom Modifications**
Achieve exact fit for any size or shape
- **Multiple Frame Adjustments**
Extend the life of the chair for a growing child
- **Rigorous Product Testing**
Ensures maximum safety, strength, stability, and endurance
- **Crash Tested Transit Models**
Adhere to national safety standards, and provide safe transport in bus or van



Positioning options and accessories sold separately.

Scout Specifications

Measurement	Chair Model	Seat Width*	Seat Depth**	Seat Back Height	Seat to Footplate*	Seat to Floor*	Seat-to-Back Angle	Seat Angle	Headrest Extension	Shoulder Strap Height	Weight Capacity Regular/Transit	Weight of Chair Δ
in.	SC 12	12	10 - 12	20	4 - 25	22	85°- 90°- 95°	30°	5	12 - 18	75 lbs / 66 lbs	31 lbs
cm	SC 12	30.5	25 - 30.5	51	10 - 63.5	56			13	30.5 - 45.5	34 kg / 30 kg	14 kg
in.	SC 14	14	11.5 - 14.5	22.5	3 - 23	22	85°- 90°- 95°	30°	8	14 - 20	100 lbs / 100 lbs	32 lbs
cm	SC 14	35.5	29 - 37	57	7.5 - 59	56			20	35.5 - 51	45.5 kg / 45.5 kg	14.5 kg
in.	SC 16	16	13 - 16	25	5.5 - 22.5	22	85°- 90°- 95°	30°	8	12.5 - 22.5	170 lbs / 170 lbs	35.5 lbs
cm	SC 16	40.5	33 - 40.5	63.5	14 - 57	56			20	32 - 57	77 kg / 77 kg	16.1 kg
in.	SC 18	18	16 - 19	24	10 - 24	23	85°- 90°- 95°	30°	8	16 - 22	250 lbs / 170 lbs	38 lbs
cm	SC 18	45.5	40.5 - 48	61	25 - 61	58.5			20	40.5 - 56	114 kg / 77 kg	17 kg

in. - Inches, cm - Centimeters

* Plus or minus .5 inch (1.27 cm) due to fabric. ** 2 inch cut-out for minimum seat depth. Available as an option. Δ - Weight of chair is without front rigging.

Upholstery Colors

Removable, Washable Fabric

-  Panther Black
-  True Red
-  Nile Green
-  Forest Green
-  Blue
-  Purple
-  Deep Burgundy
-  Pink

Measurement	Chair Model	Overall Width*	Overall Height	Overall Length	Folded Length	Folded Width	Folded Height
in.	SC 12	24.5	37	51	52.5	16	16.5
cm	SC 12	62	94	129.5	133	40.5	42
in.	SC 14	26	38	54	52	16	15.5
cm	SC 14	66	96.5	137	132	40.5	39
in.	SC 16	28	39	55	55	16	15
cm	SC 16	71	99	139.5	140	40.5	38
in.	SC 18	30.5	39	56	57	16	16.5
cm	SC 18	77.5	99	142	145	40.5	42v

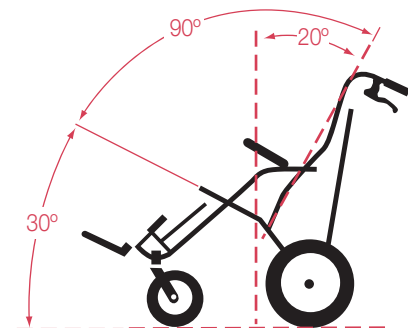
Use only Convaid options and parts on Convaid products. Convaid parts are not interchangeable with other manufacturer's products. Replace any worn parts immediately.

Note: Convaid maintains a policy of continual product improvement; therefore, we reserve the right to make changes without notice.

Limited Lifetime Warranty

Frame and X-Braces.....Lifetime of original retail buyer
 Fabric and webbing.....One year
 Other components.....One year

This warranty does not cover normal wear and tear, or damage caused by accident or misuse.



20° visual alignment
 30° seat angle (from horizontal)
 90° adjustable seat-to-back angle

